

# Cheval

## CHEVAL : OCP RACK OVR3

We have designed both a knock down version and fully welded version of the latest OCP ORV3 Open Rack version 1.0

### Basic Features:

- Static Load rated 1,600 kg.
- Dynamic Load rated 1,400 kg
- Knock down version estimate 80 sets per 40'
- Assembled version estimate 27 sets per 40'
- 44 OU/48 RU overall internal mounting space
- U numbers printed for easy equipment installation
- 48 VDC bus bar power architecture
- Overall foot print is 600 mm x 1068 mm
- Can customize to your specifications



OCP  
INSPIRED

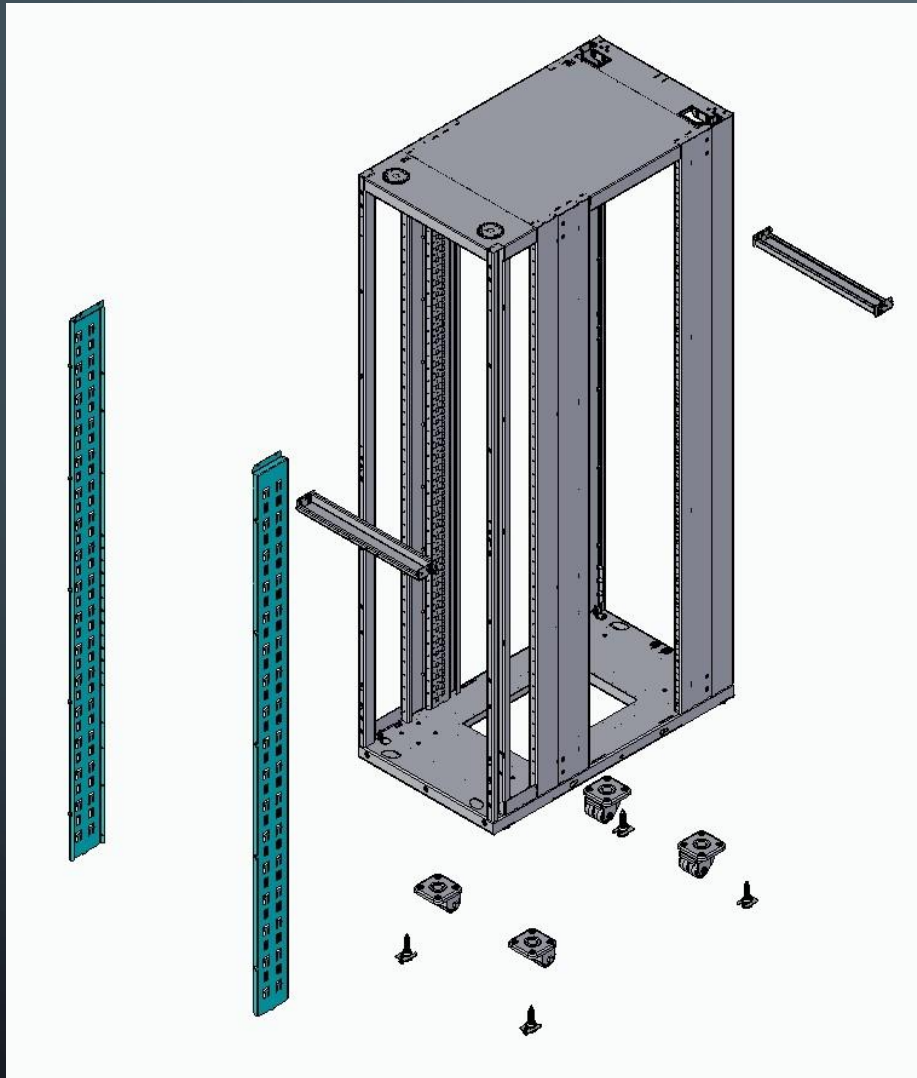


OPEN  
COMMUNITY

# Cheval ORV3 Basic Rack Overview



OCP  
INSPIRED



- Overall height : 2,236 mm (no casters)
- Overall height on casters : 2,286 mm
- Overall depth : 1,068 mm
- Overall width : 600 mm
- Form factor: 44 0U / 48RU
- Net Weight 145 KG (Frame only)
- Basic Rack includes Frame, Casters, Leveling Feet, Cable Rails and 2 x support rails.

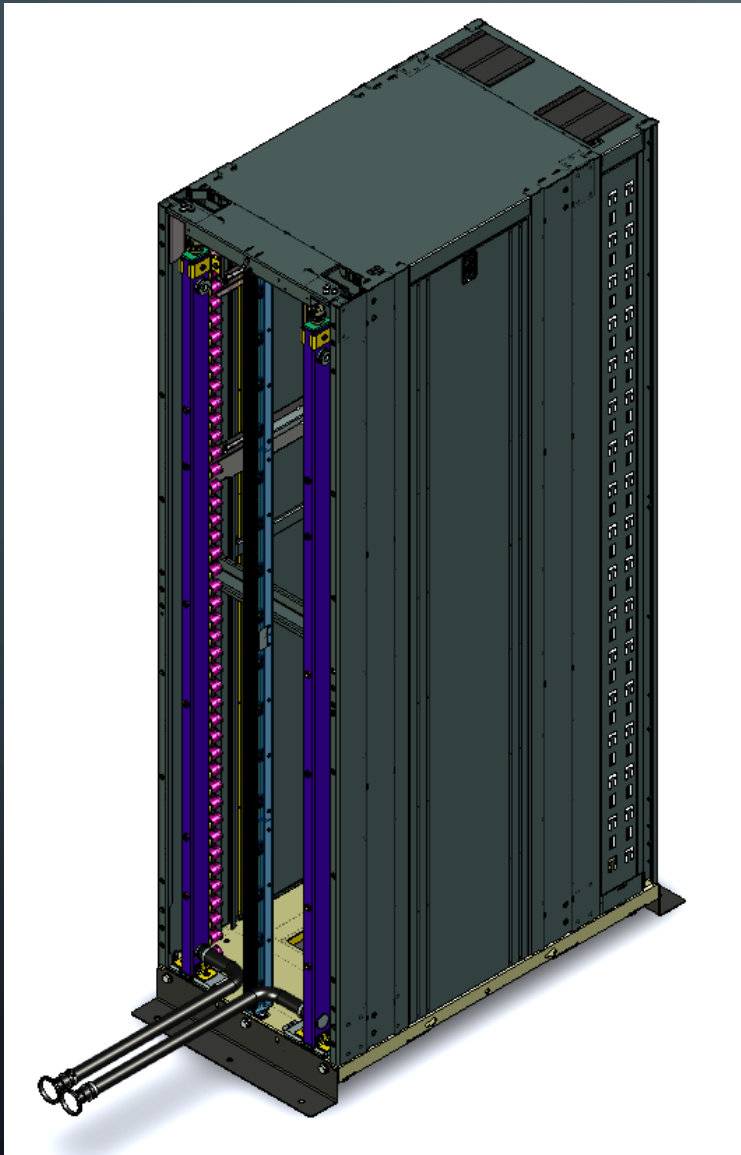
Open Compute Project • Open Rack Base Frame V3 Specification

### 3. Revision Table

Date	Revision	Author	Description
6 JUN 2022	0.1	Glenn Charest	Initial Release
24AUG22	0.2	GC, SM, LV	Major updates
22SEP22	1.0	SM	Released to the community



## Cheval ORV3 : Mock Up Example



The ORV3 platform can accommodate liquid cooling manifolds as well as the 48 volt busbar. This mock up shows both along with side panel and basic bolt down brackets.

Accessories: Perforated Door, Side Panel and Split Doors



OCP  
INSPIRED

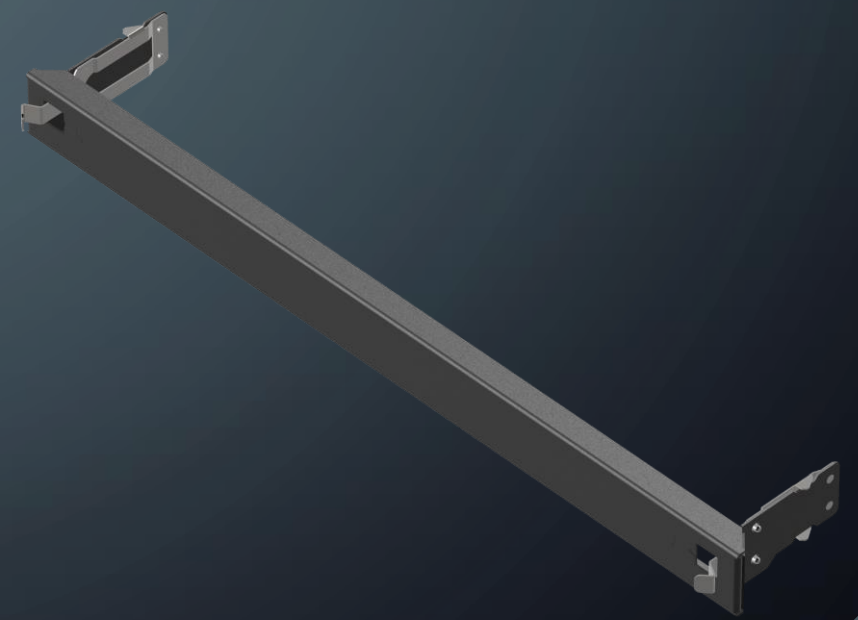


# Cheval ORV3 Accessories: Blanking Panels

Standard 1 and 2 OU panels which mount to IT Rails or power shelf rail



Brand new 1 OU panel mounts direct to frame, no need IT rails.





## Cheval OCP ORV3 Accessories: IT Support Rails (Blades)



1 0U IT Support Rails (Blade)



2 0U IT Support Rails (Blade)





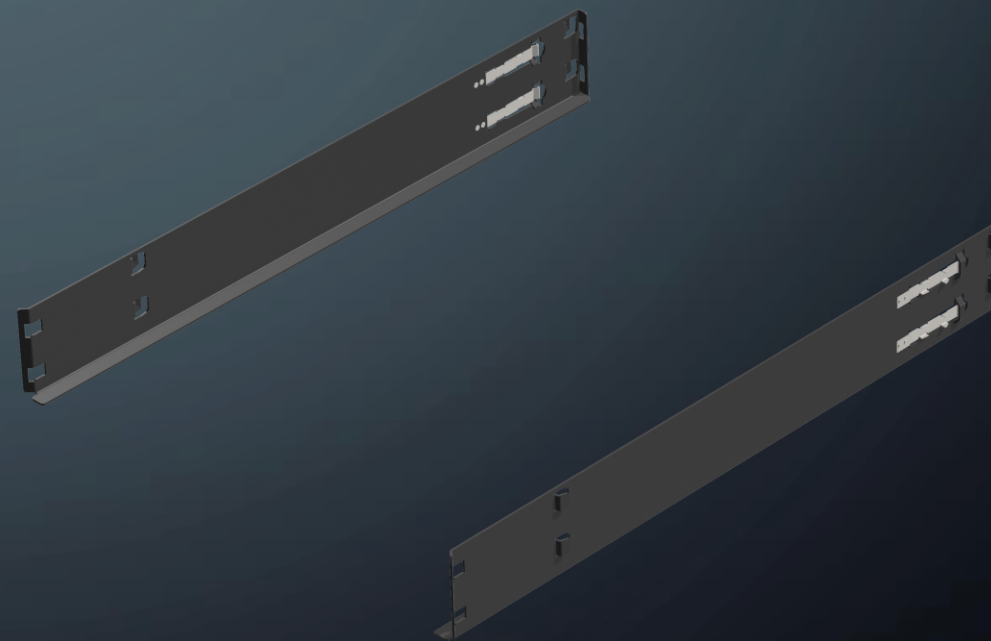
# Cheval OCP ORV3 Accessories: Power Shelf Rails



1 0U Power Shelf Rails



2 0U IT Power Shelf Rails





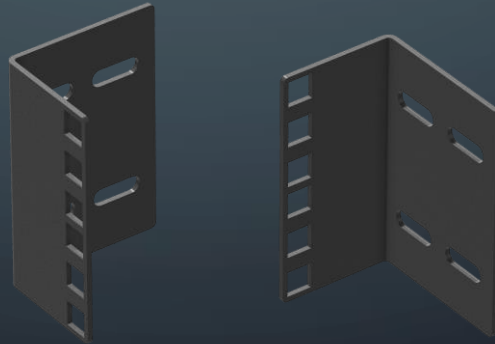
# Cheval OCP ORV3 Accessories: 21" and 19" Adapter Kits



1 0U 21" to 19" Adapter Rails



2 RU 19" Adapter Kit



23 RU 19" Adapter Rails



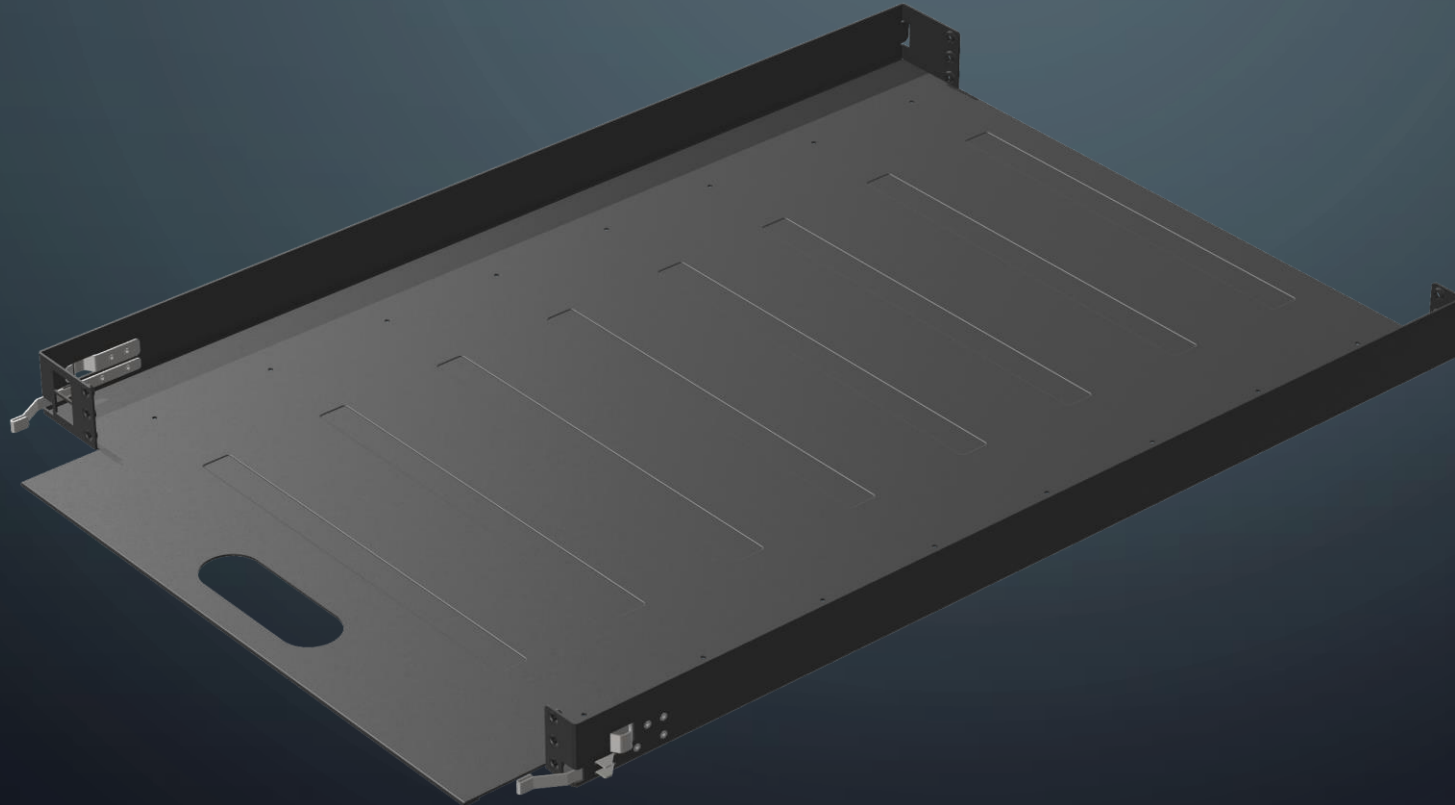




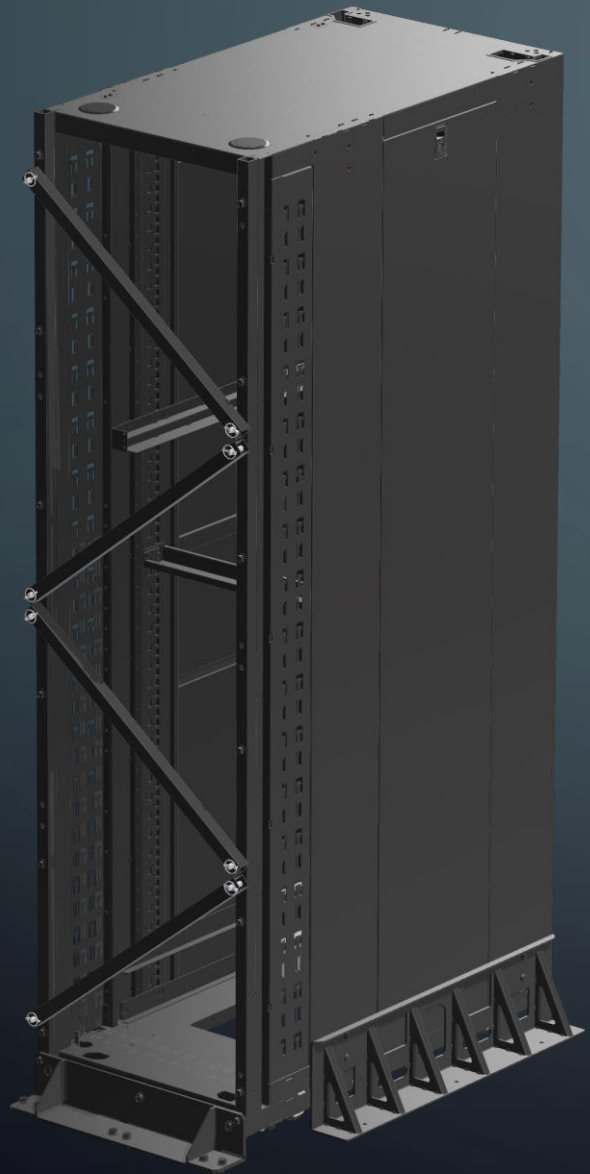
# Cheval OCP ORV3 Accessories: Equipment Tray



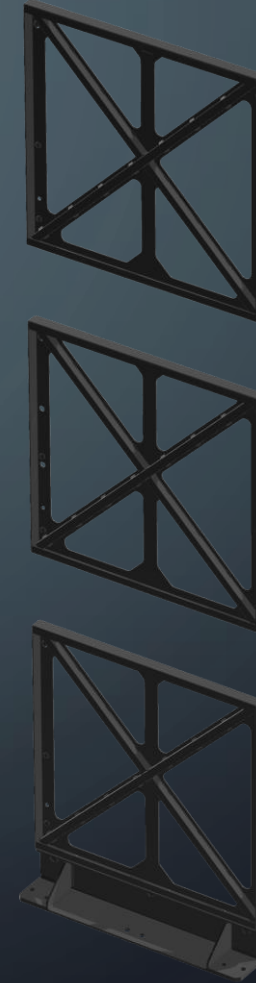
1 0U 21" to 19" Equipment Tray



# Cheval OCP rack with Seismic Bracing Kits



Zone 4

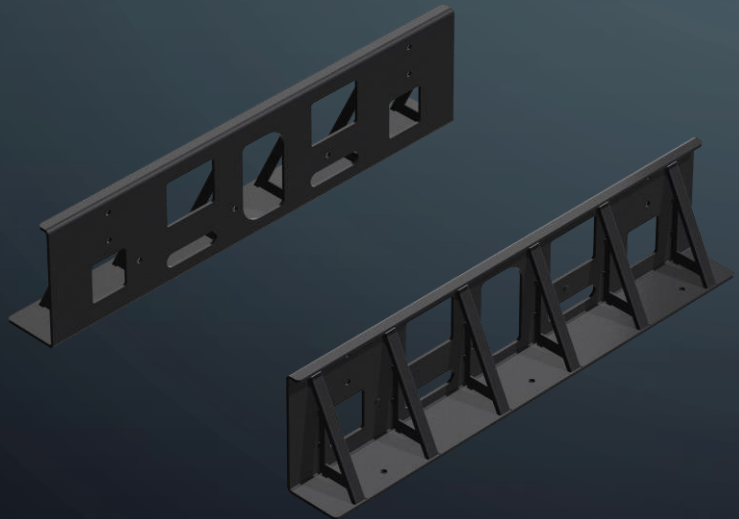
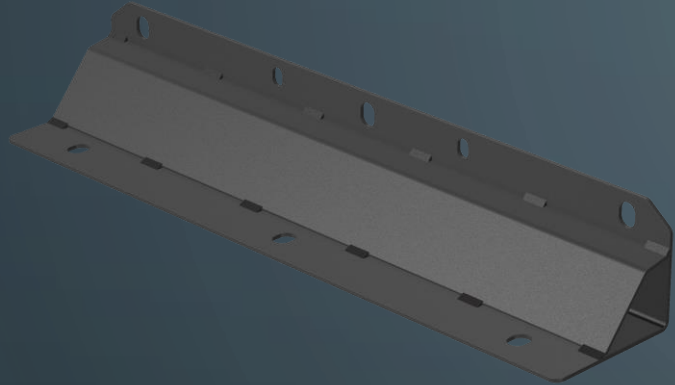


Zone 2



# ORV3 Standard Stabilization Brackets

Front and Rear Stabilizer



Side Stabilizers



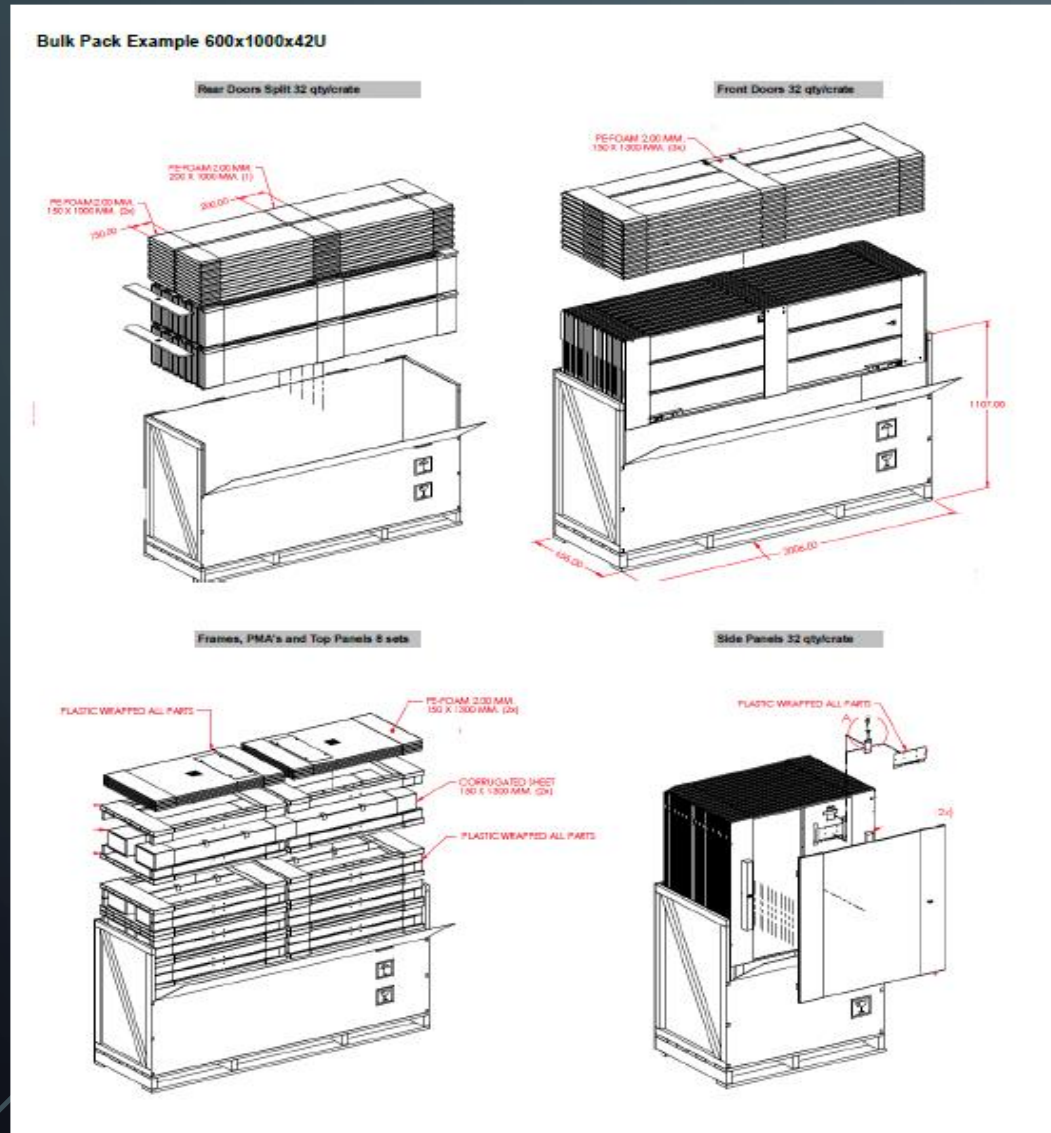
OCP  
INSPIRED



Cheval OCP ORV3 Rack: Assembled and packed on simple pallet can load 27 sets per 40' container



# Unassembled Bulk Pack Example



These are examples of packing standard 19" racks, but the concept for ORV3 is the same





Cheval Electronic  
Enclosures Co Ltd



AegisTek Corp Ltd



Cheval Technology Co Ltd



**Thank you for your time and please visit us in  
Thailand**